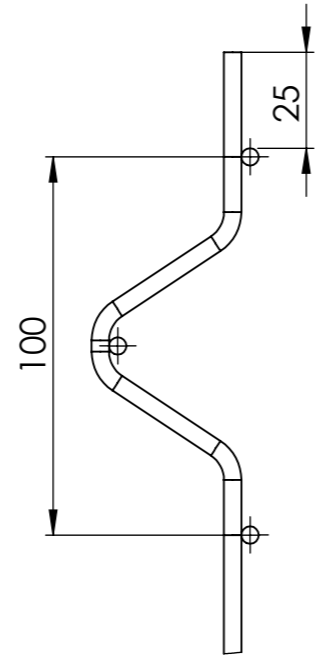
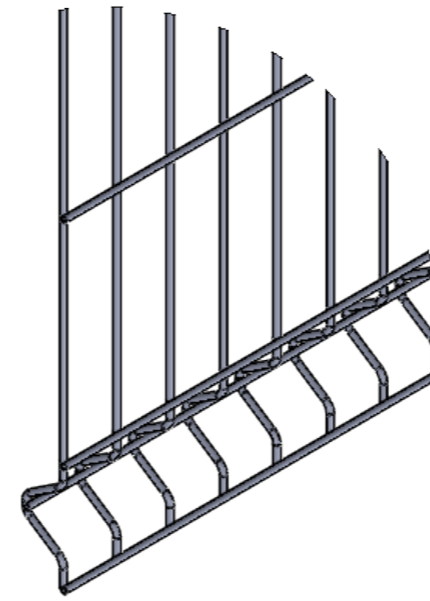


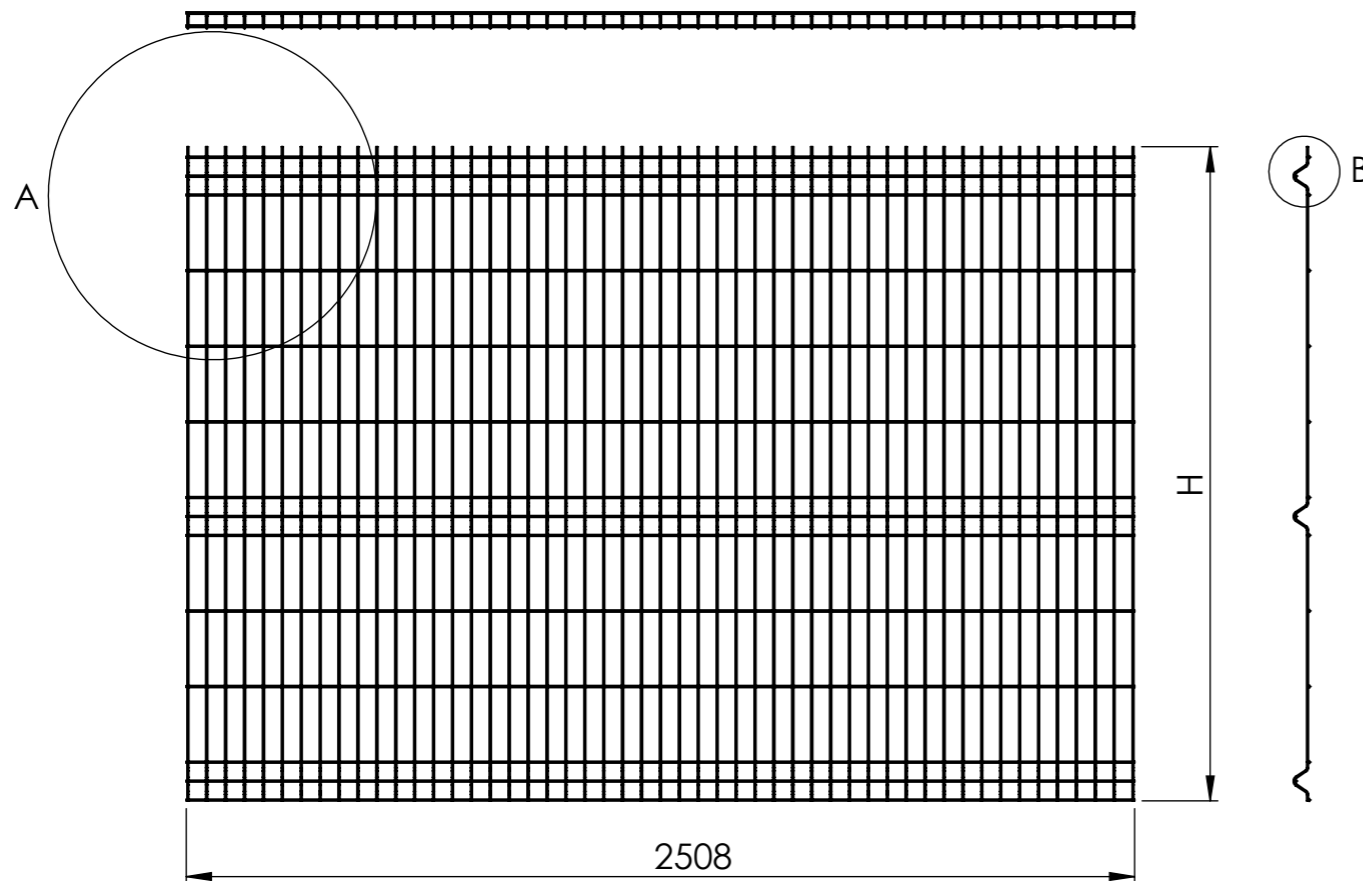
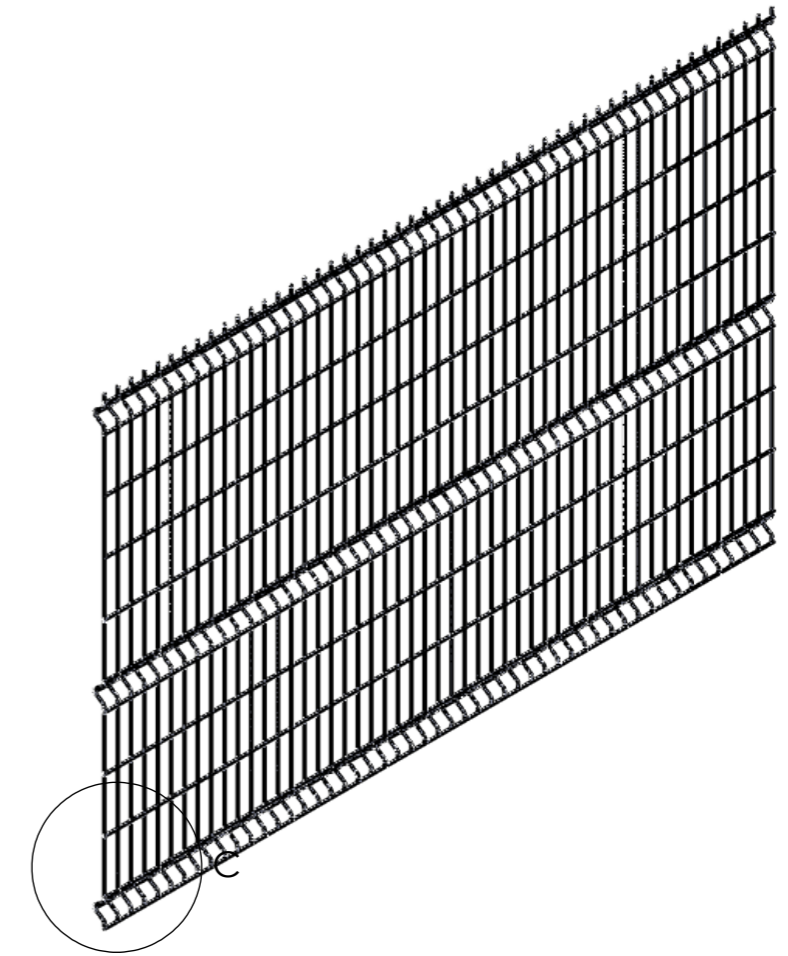
DETAIL A
SCALE 1 : 10



DETAIL B
SCALE 1 : 2



DETAIL C
SCALE 1 : 5



Name	H
3D 5-5 M50x200 L2500 H0830	830
3D 5-5 M50x200 L2500 H1030	1030
3D 5-5 M50x200 L2500 H1230	1230
3D 5-5 M50x200 L2500 H1430	1430
3D 5-5 M50x200 L2500 H1530	1530
3D 5-5 M50x200 L2500 H1730	1730
3D 5-5 M50x200 L2500 H1930	1930
3D 5-5 M50x200 L2500 H2030	2030
3D 5-5 M50x200 L2500 H2330	2330
3D 5-5 M50x200 L2500 H2430	2430



Bedrijvenpark Twente 237
7602 KJ Almelo

This document is confidential.
All rights reserved.
Van Merksteijn Fences - Netherlands BV.

Drawing name:
(04-01) Sales
3D ø5-5
M50x200 L2500

Tolerances acc. technical datasheet

REV. 3

Date:
19-01-2017

Form.
A3

Sheet
1

Sheets
1

AvdW

