



MAGNALatch® Series 3



The industry leading magnetic child safety gate latch



ML3TP Series 3 Top Pull

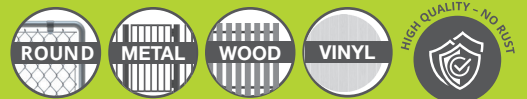


ML3VP Series 3 Vertical Pull



World's renowned safety features

- Ideal for residential or commercial safety gates
- Improved, stylish "Series 3" design
- Industry leading magnetic latching technology
- Visual indicator provides Locked/Unlocked status
- 6-pin lock for higher security (rekeyable)
- Vertical and horizontal adjustment
- Alignment marks indicate when adjustment is required



D&D Technologies

World's most trusted gate hardware



MAGNALatch® Series 3

Industry renowned safety features of the Series 3 model

For over 25 years the **MagnaLatch®** - the world's best-selling gate latch, has set the standard to keep toddlers safe around pools, homes, playgrounds and childcare centres. Now, the new **MagnaLatch® 'Series 3'** range offers even greater safety and security.

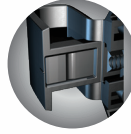
With its patented Lost-Motion Technology, the innovative magnetic action engages every time and stays shut, no matter how much it's pulled or shaken. For convenience, the key lock can now also be rekeyed to match your other locks, such as your front door. And the new visible Lock Indicator shows you at a glance whether it's locked or unlocked.



Safer, ergonomic lift knob
New design more conveniently shaped and child resistant than ever.



Visible Lock Indicator
Shows you, at-a-glance, whether latch is locked or unlocked. With 6-pin re-keyable lock cylinder to match existing locks around the home.



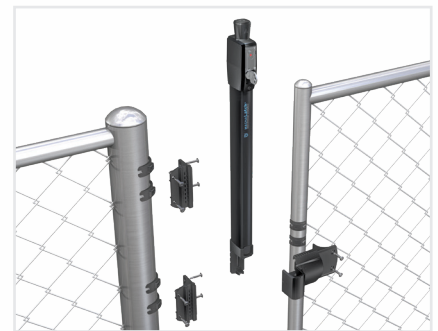
Permanent magnets are sealed
Quality tested to ensure ongoing performance and reliability, that will not fail with use or from environmental impact.



T-track innovation
Offers superior fixing strength and unsurpassed reliability.

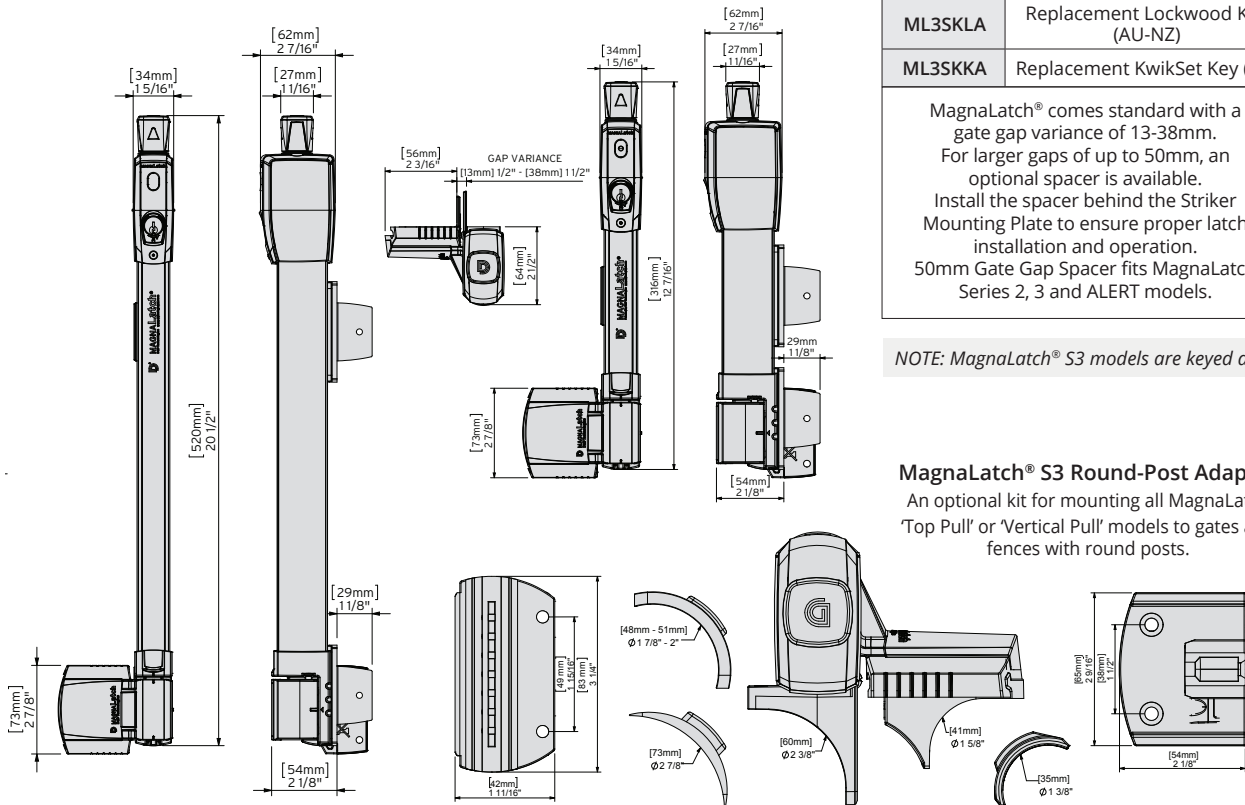
Product Dimensions

CODE	COLOR	MODEL FEATURE	IDEAL GAP	GAP VARIANCE
ML3TP	Black	Top Pull: 6-Pin Lock - Keyed Alike	19mm	13-38mm
ML3TPKAWT	White	Top Pull: KwikSet - Keyed Alike	19mm	13-38mm
ML3VP	Black	Vertical Pull: 6-Pin Lock - Keyed Alike	19mm	13-38mm
ML3VPKAWT	White	Vertical Pull: 6-Pin Lock - Keyed Alike	19mm	13-38mm
ML3RPK	Black	ML3 Round-Post Adaptor Kit	38mm	32-57mm
ML3SPACER	Black	Gate Gap Spacer	50mm)	-



MagnaLatch® S3 Top Pull

MagnaLatch® S3 Vertical Pull



CODE	MODEL FEATURE
ML3SKLA	Replacement Lockwood Key (AU-NZ)
ML3SKKA	Replacement KwikSet Key (US)

MagnaLatch® comes standard with a gate gap variance of 13-38mm. For larger gaps of up to 50mm, an optional spacer is available. Install the spacer behind the Striker Mounting Plate to ensure proper latch installation and operation. 50mm Gate Gap Spacer fits MagnaLatch Series 2, 3 and ALERT models.

NOTE: MagnaLatch® S3 models are keyed alike

MagnaLatch® S3 Round-Post Adaptor
An optional kit for mounting all MagnaLatch 'Top Pull' or 'Vertical Pull' models to gates and fences with round posts.

www.ddtechglobal.com

Unit 6, 4-6 Aquatic Drive, Frenchs Forest NSW 2086
Tel: (02) 9454 7888 Email: sales@ddtech.com.au



D&D Technologies
World's most trusted gate hardware