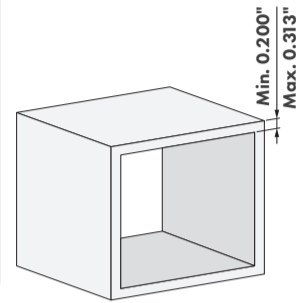


THE PRE-MOUNTED QUICK-FIX IS DESIGNED FOR WALL THICKNESSES OF 0.083" UP TO 0.190"

FOR THICKNESSES FROM 0.200" UP TO 0.313", REPLACE THE PRE-MOUNTED QUICK-FIX BY THOSE IN THE QFIXSET-USA-3 BAG. SEE STEP 6 TO DISASSEMBLE THE QUICK-FIX



LOCINOX USA



LIVE CHAT

[www.locinoxusa.com](http://www.locinoxusa.com)



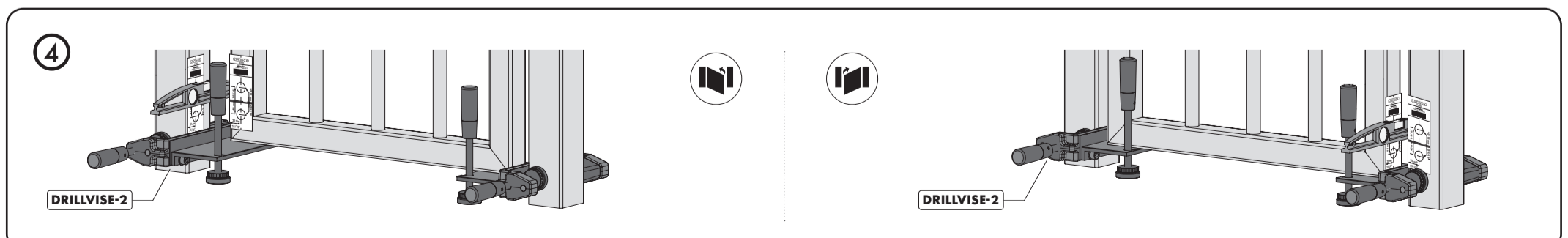
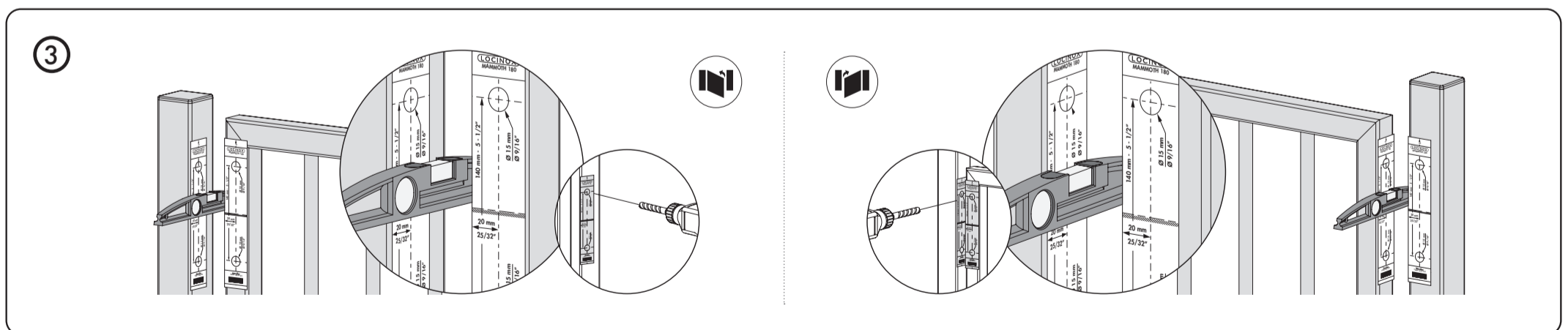
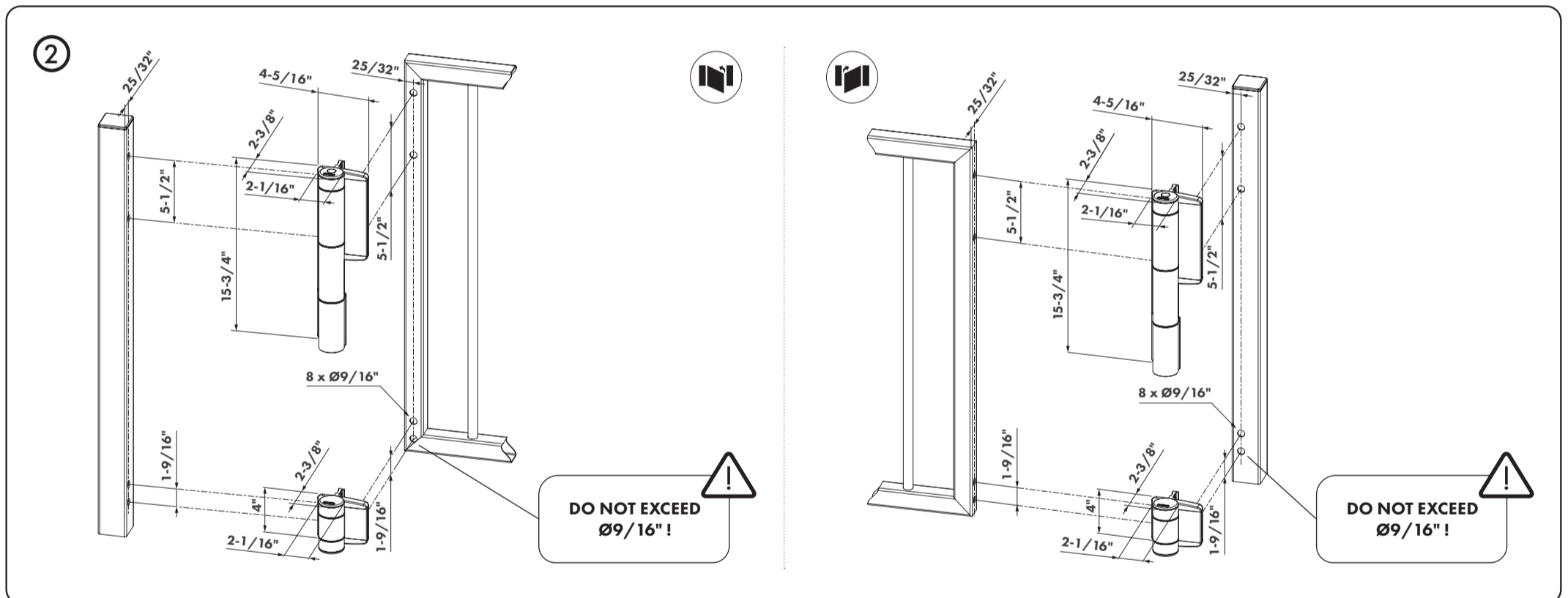
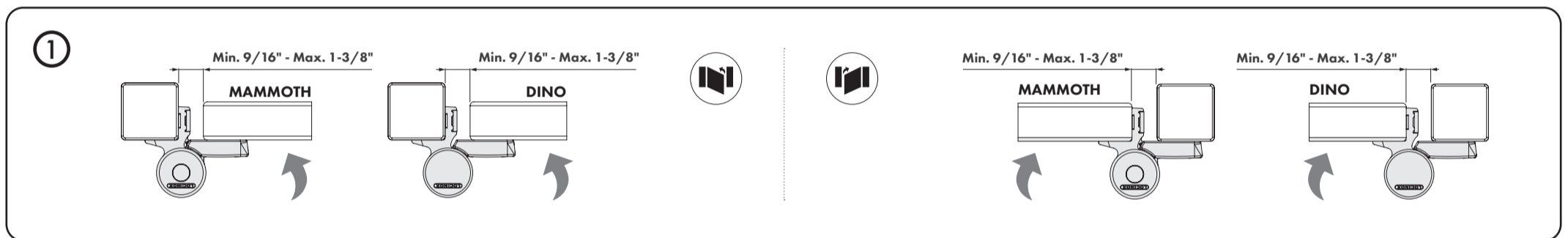
877-LOCINOX



[helpusa@locinox.com](mailto:helpusa@locinox.com)

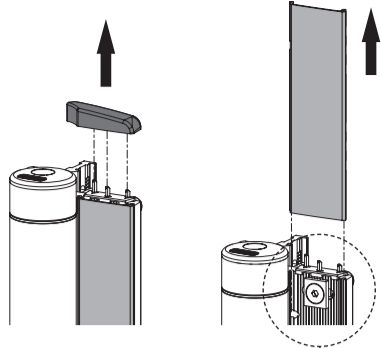


[www.locinoxusa.com/mammoth](http://www.locinoxusa.com/mammoth)

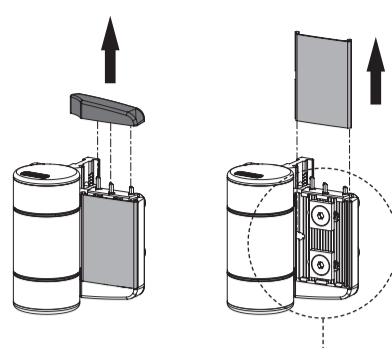


5

MAMMOTH



DINO

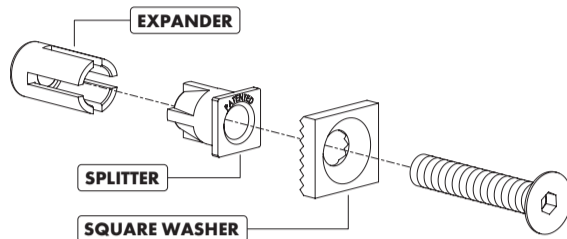


REMOVE THE COVER CAPS FIRST TO REPLACE THE QUICK-FIX IF REQUIRED

6



ONLY FOR WALL THICKNESSES FROM 0.200" UP TO 0.313". REPLACE THE PRE-MOUNTED QUICK-FIX BY THOSE IN THE QFIXSET-USA-3 BAG

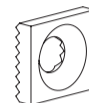


1

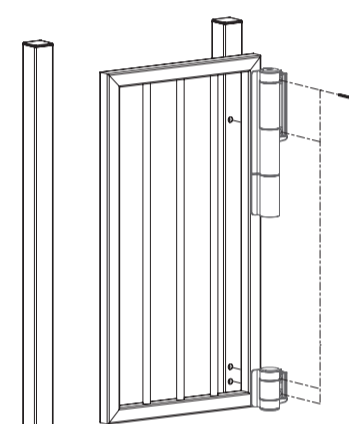
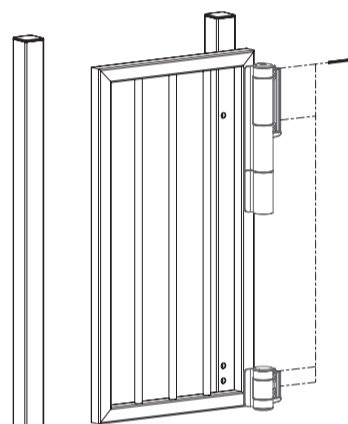
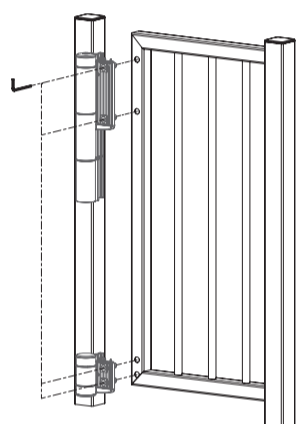
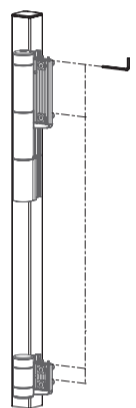
REMOVE EXISTING QUICK-FIX WHERE NEEDED. DISCARD EXPANDER, SPLITTER, BOLT (KEEP WASHER!)

2

REPLACE WITH QFIXSET-USA-3 AND REUSE THE SQUARE WASHER

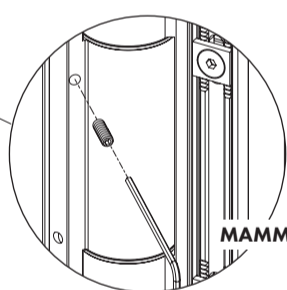
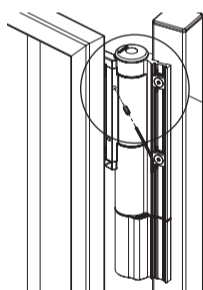


7

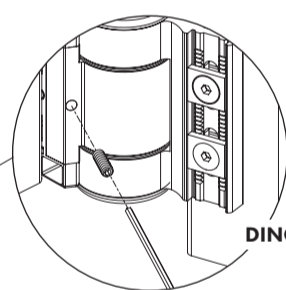
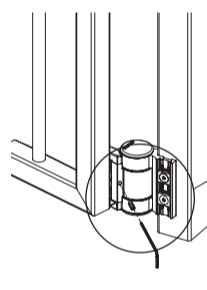


HEX 5mm

8



MAMMOTH



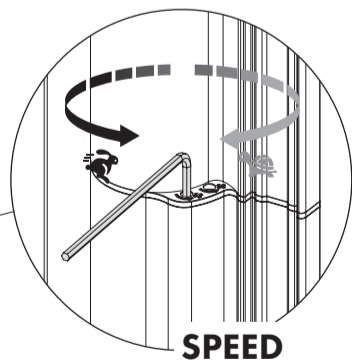
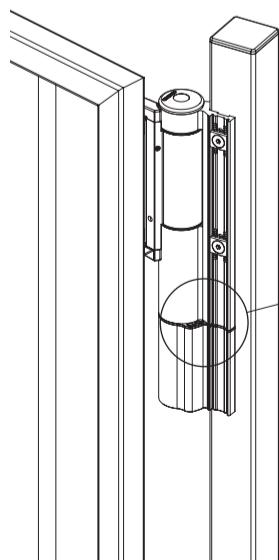
DINO

HEX 3mm

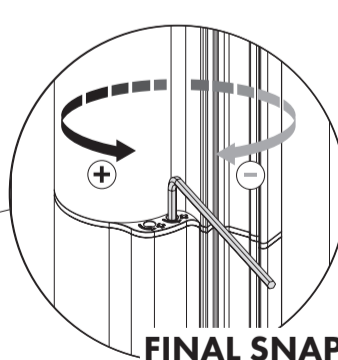
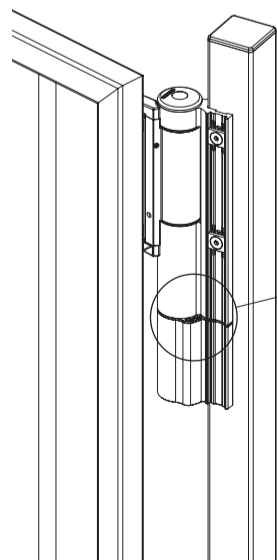


RE-INSTALL THE COVER CAPS AND LOCK THE QUICK-FIX COVER WITH SET SCREW

9



SPEED



FINAL SNAP

HEX 3mm



[pictures@locinox.com](mailto:pictures@locinox.com)

SUCCESSFUL INSTALLATION?  
Please send us your pictures & videos

INSTALACION EXITOSA?  
Por favor envíenos sus fotos y videos

**LOCINOX**  
Let's make it better together

Doc. Nr.: MANU-000422

Locinox NV • Brabantstraat 107 • 8790 Waregem • Belgium  
Locinox CEE • Irysowa 9 • 55-040 Bielany Wrocławskie • Poland  
Locinox LLC • 460 Windy Point Drive • Glendale Heights - IL 60139 • USA



\* M A N U - 0 0 0 4 2 2 \*