

LOCINOX[®]

Mortise lock for profiles of 2-3/8" or more

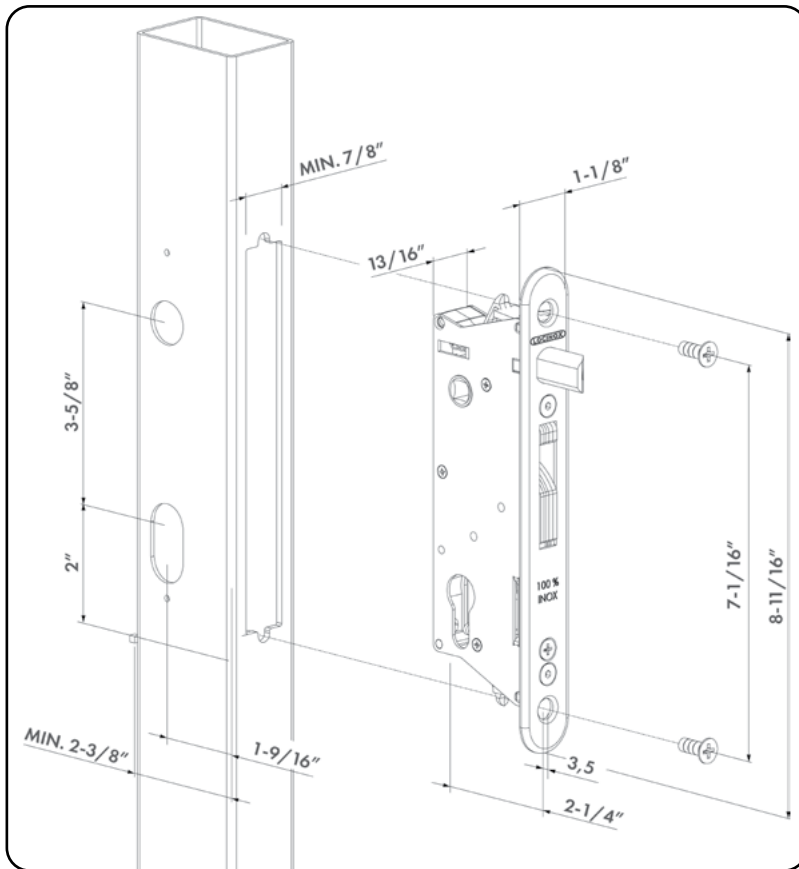
SIXTYLOCK



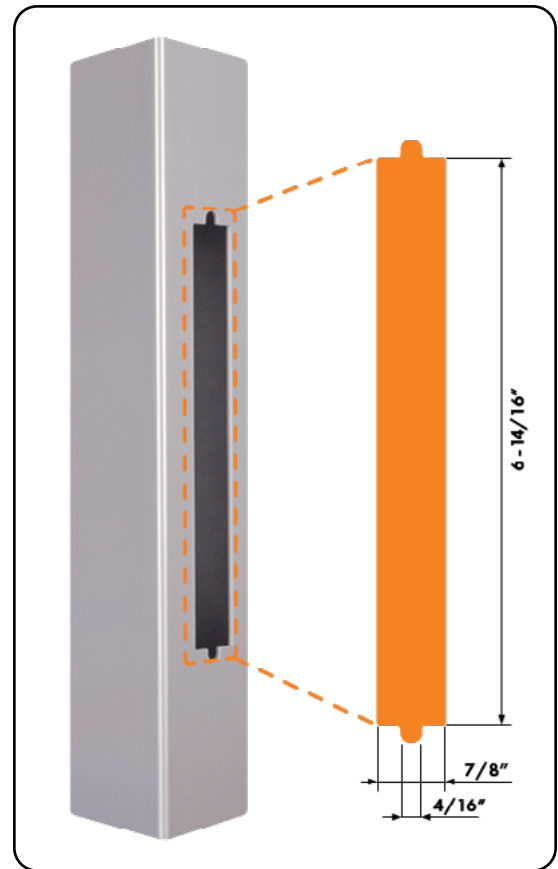
EASY AND FAST INSTALLATION



INSTALLATION MEASUREMENTS



NEW PROFILE PREPARATION



SPECIFICATIONS

- ✓ Stainless steel lock mechanism with cover plate against dirt penetration
- ✓ Stainless steel mechanism, hook, front plate and latch bolt
- ✓ Backset 1-9/16", for mounting in profiles of 2-3/8" of depth or more
- ✓ Continuous adjustment of the daybolt up to 3/8" without dismounting the lock box
- ✓ Key-operated self-latching bolt
- ✓ Easy left or right changing of the self-latching daybolt
- ✓ Throw of the hook: 13/16"
- ✓ Center-distance between cylinder and handles = 3-5/8"
- ✓ Available with 2-1/8", 2-3/8", and 3-1/8" cylinder
- ✓ Handles to be ordered separately
- ✓ Optional: cover shield for handle & cylinder holes in aluminum, polyamide or stainless steel



LOCINOX USA



www.locinoxusa.com



877-LOCINOX



help@locinoxusa.com

