



SCAN FOR
MORE INFO

ELECTRADROP-E



500 K CYCLES

STAINLESS MATERIAL

PREMIUM QUALITY



LOCINOX[®]

Let's make it better together

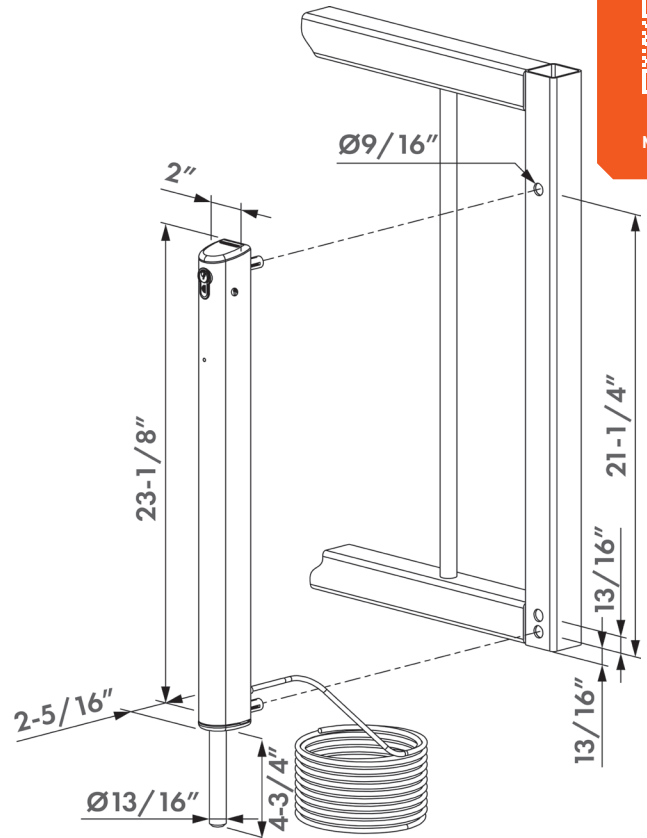
Motorized drop bolt with Fail Close functionality

Electric 24V drop bolt with 4-3/4" throw for safe locking of automated swing gates.

By securing your gate with an Electradrop you unburden the electric gate motors.



Find out more: locinoxusa.com | help@locinoxusa.com



SCAN FOR
MORE INFO

LOCINOX

Electradrop-E

Motorized drop bolt with
Fail Close functionality

What makes it special?

- Vandal proof, powder coated aluminum housing
- To be connected to the warning light on automated gates (min 3 sec prewarning signal) or directly on the gate automation
- Automatic detection and memorization of the continuous or pulse signal
- Mechanical release possible (by key) in case of emergency
- The integrated obstacle detection will automatically stop the drop bolt movement in case of overpressure to avoid injuries
- Throw: 4-3/4"
- Drop bolt diameter: 25/32"
- 16-1/2 ft cable included
- Included: 3012-37-STD-VSZ cylinder



Features

Configurations	ELECTRADROP-E ELECTRADROP-E-P
Gate profile size	1-1/2" or more
Housing	Anodized aluminum
Cylinder	Half Euro-cylinder (included)
Electrical specifications	U=24VDC±20%; IMAX=2.2A; P=20mW/55W (MAX)
Fixation	Quick-Fix (2x)
Weather resistance	IP66
Color	Black / Silver
Warranty	2 years
Power supply	PowerStone - 24V DC 60W



SCAN FOR
MORE INFO

ELECTRADROP-R



500 K CYCLES

STAINLESS MATERIAL

PREMIUM QUALITY



LOCINOX[®]

Let's make it better together

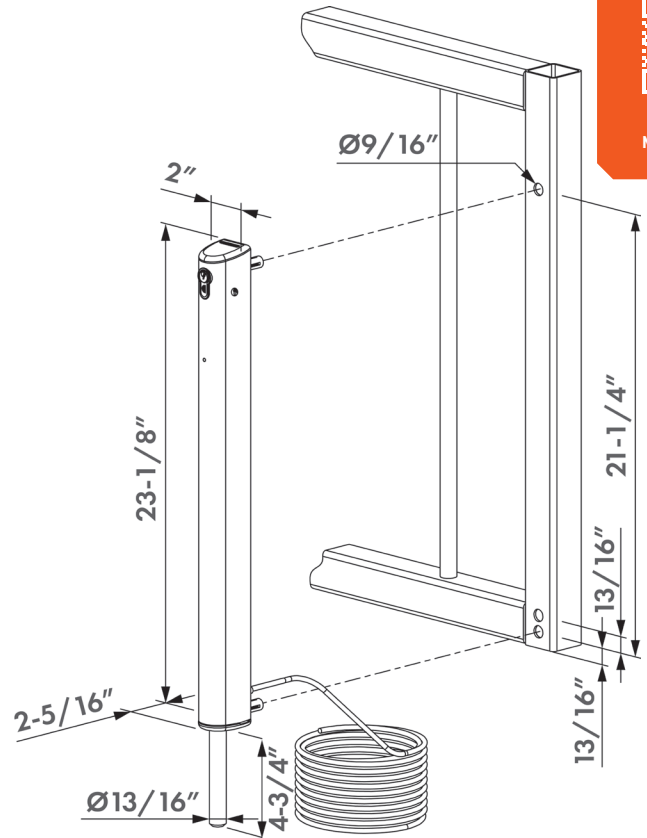
Motorized drop bolt with Fail Open functionality

Electric 24V drop bolt with 4-3/4" throw and integrated emergency batteries for safe opening of automated swing gates.

By securing your gate with an Electradrop you unburden the electric gate motors.



Find out more: locinoxusa.com | help@locinoxusa.com



SCAN FOR
MORE INFO

LOCINOX

Electradrop-R

Motorized drop bolt with
Fail Open functionality

What makes it special?

- Automatic lift of the dropbolt by integrated battery pack in case of power failure
- Vandal-proof, powder coated aluminum housing
- To be connected to the warning light on automated gates (min 3 sec prewarning signal) or directly on the gate automation
- Automatic detection and memorization of the continuous or pulse signal
- Mechanical release possible (by key) in case of emergency
- The integrated obstacle detection will automatically stop the drop bolt movement in case of overpressure to avoid injuries.
- Throw: 4-3/4"
- Drop bolt diameter: 25/32"
- 16-1/2 ft cable included
- Included: 3012-37-STD cylinder



Features

Configurations	ELECTRADROP-R ELECTRADROP-R-P
Gate profile size	1-1/2" or more
Housing	Anodized aluminum
Cylinder	Half Euro-cylinder (included)
Electrical specifications	U=24VDC±20%; IMAX=2.2A; P=20mW/55W (MAX)
Fixation	Quick-Fix (2x)
Weather resistance	IP66
Color	Black / Silver
Warranty	2 years
Power supply	PowerStone - 24V DC 60W
Battery lifetime	>300 bolt movements on batteries with 10 years battery lifetime