

# Manual Single Premium gate.

fenceweb.com

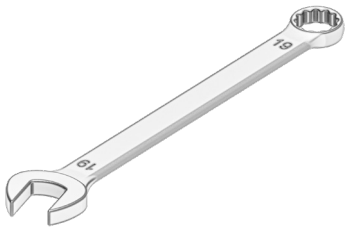
# Personal protective equipment.

Sinlge Premium gate



# What is needed to install the gate?

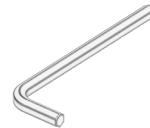
Sinlge Premium gate



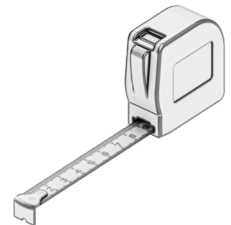
Wrench 19mm



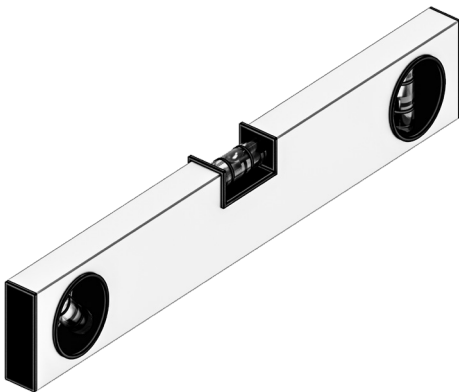
screwdriver  
Phillips head PH2



Allen key  
5 and 2,5 mm



Tape  
measure



Level



Shovel / auger

# Check your order.

## Sinlge Premium gate

The fencing, the posts, the gate and concrete are delivered on a pallet, possibly on several for large orders. Small orders are placed upright and tied to a wooden trestle and finally sealed. Large orders transported on big pallets are usually not sealed in foil.



Check the goods upon delivery and note any damage on the consignment note before signing. **(after signing the right of complaint expires).**



Keep the order in a safe and covered place until assembly to keep it in good condition.

# Carefully remove the products from the pallet.

## Sinlge Premium gate

Carefully cut open the foil with a boxcutter without damaging the products (Best on the short side of the pallet).

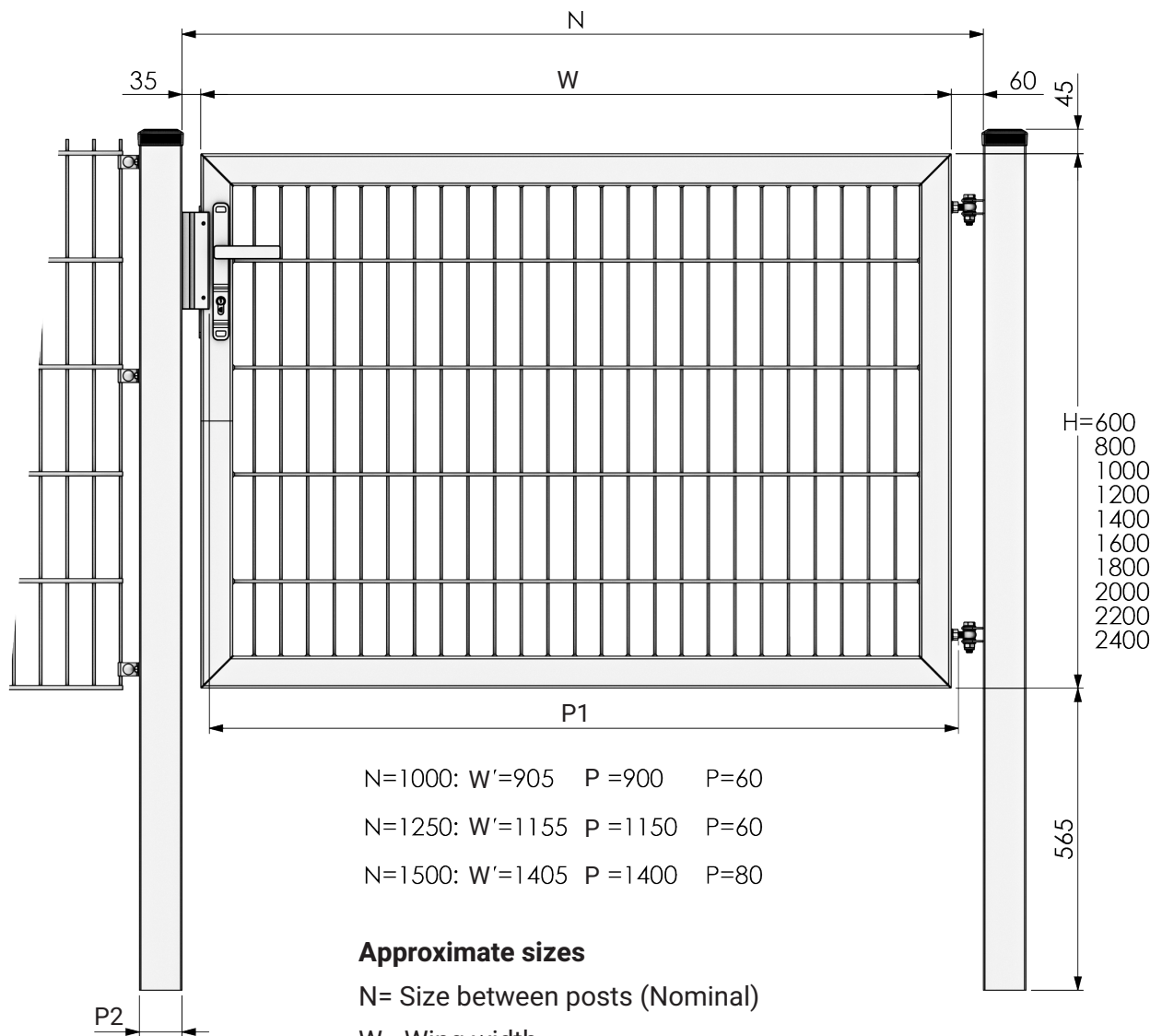
Then cut the green straps and pull them off the pallet. Carefully remove the products from the pallet.



Do you have posts or cover strips with your order? Make sure to lift them up properly when you remove them from the pallet, this way you prevent scratches.

# Dimensions of the single Premium gates 2022 series.

Single Premium gate



### Approximate sizes

N= Size between posts (Nominal)

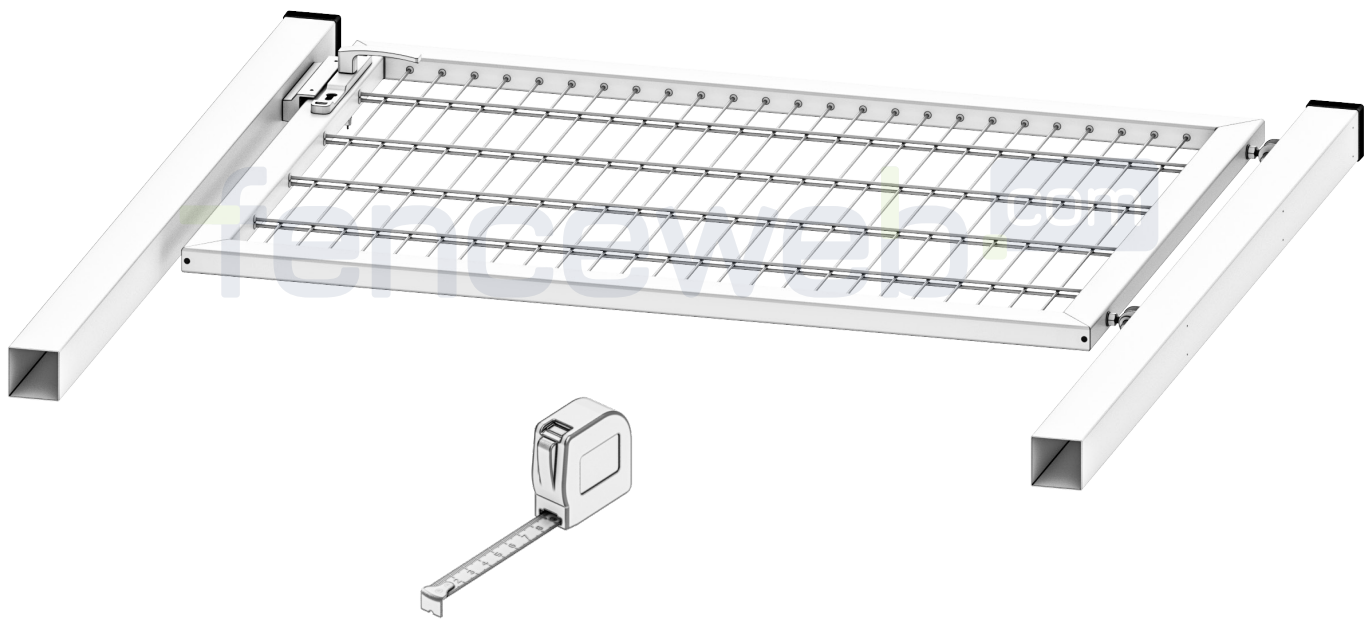
W= Wing width

P1= Actual Passage between catcher and hinge (Nominal)

P2= Post width

# Preparation: Measuring is knowing.

Sinlge Premium gate

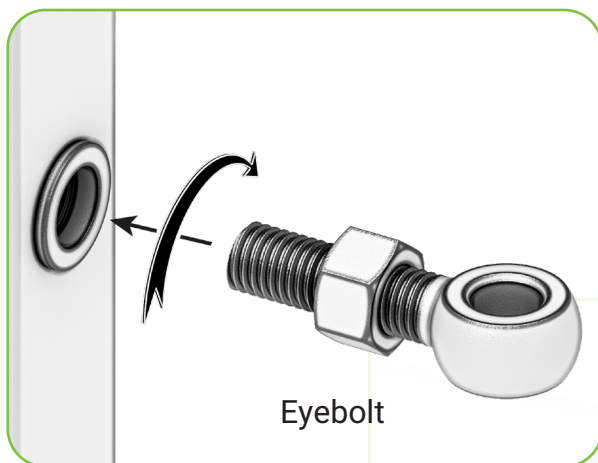


Lay out the gate parts on a soft surface and measure them.

Determine the direction of rotation and position of the gate before placing the posts.

# Preparation: Measuring is knowing.

Single Premium gate



Pre-adjust the hinges to ease assembly later. Tighten the nut on the eyebolt and then tighten the eyebolt into the gate wing. Do not tighten the nut against the gate leaf yet. Turn the eyebolt in the same number of turns on both hinges



If you afterwards have more or less space between the posts than you had in mind, you can tighten or loosen the eyebolt.



# Assembly: Secure the posts.

Sinlge Premium gate

Level the posts with a spirit level at the correct position and height and secure them with concrete. To do this correctly, follow the instructions on the packaging. Let the concrete harden before installing the gate wing!

Note: The gate can be adjusted in width after installation, but not in height. So make sure the posts are the same height and level.



This step also determines how the gate opens and closes. Make sure you place the posts correctly.

# Assembly: The lock keep.

Sinlge Premium gate

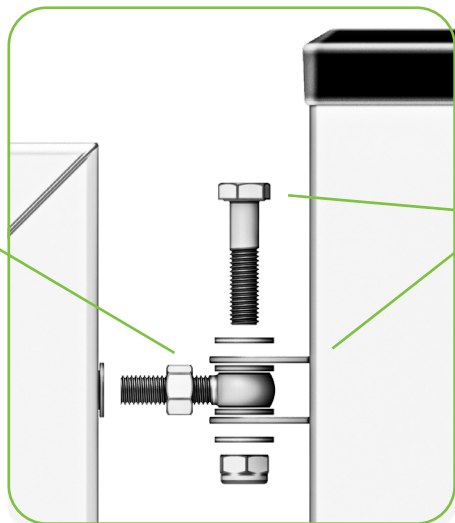
Mount the keep to the post using the Allen key and screwdriver.  
Make sure that you mount the keep correctly in relation to the direction of rotation of the gate.



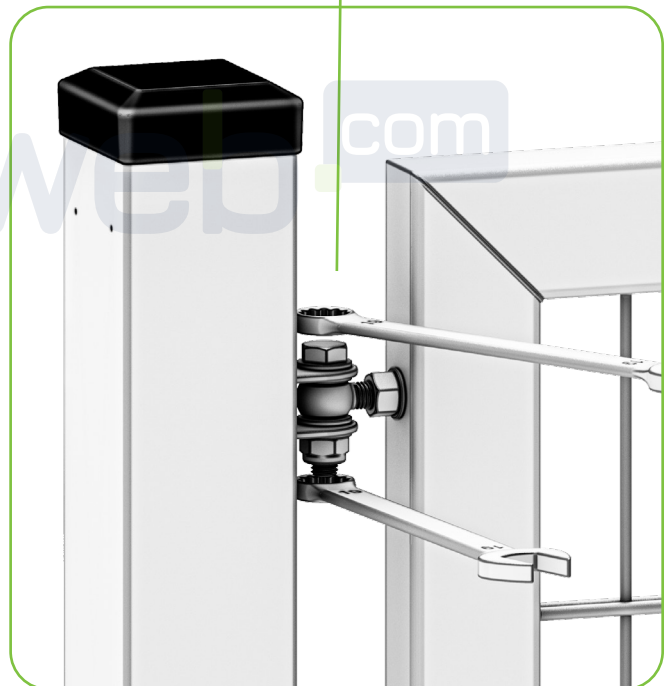
# Assembly: The wing in the hinges.

## Sinlge Premium gate

Then hang the gate wing in position. Tighten the nut on the eyebolt well so that the wing is firmly attached to the eyebolt.

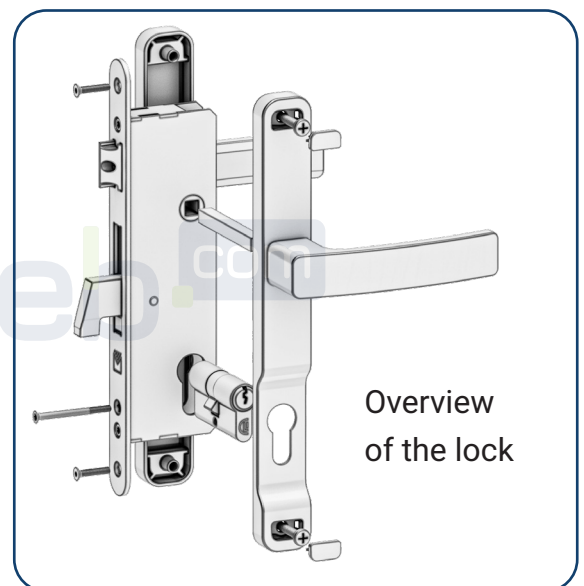


Align the holes of the hinge plates on the gate and the eyebolt and insert the bolt through them. Don't forget the retaining rings. Tighten the bolt and nut with 2 wrenches. Do this for both hinges.



# Assembly: The lock.

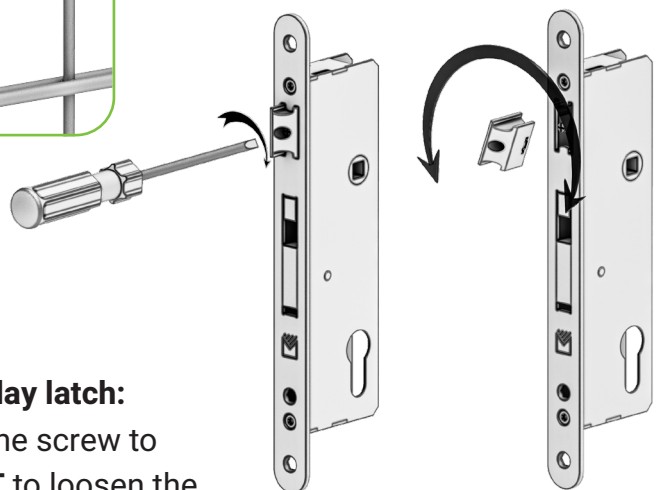
Sinlge Premium gate



Slide the lock case into the wing and tighten with the Allen key. Now push the doorhandle with the cover plate together with the cylinder lock in the case and screw the cover plate with the screwdriver.

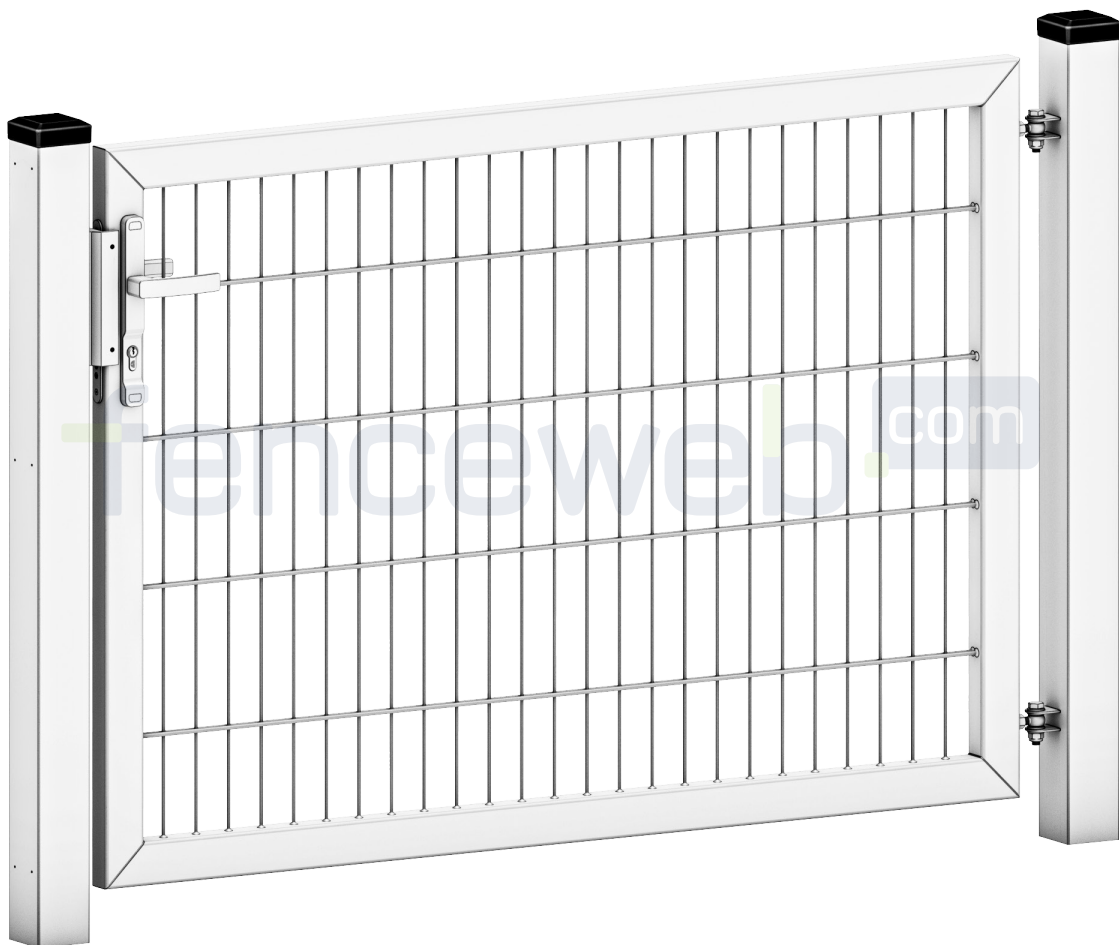
### Turn day latch:

Turn the screw to **RIGHT** to loosen the day latch and adjust it. Secure it by turning **LEFT**.



# Congratulations, your gate is installed!

Sinlge Premium gate



Did you find this manual useful?  
We would love to hear your feedback!



Send your reactions to:  
[business@fenceweb.com](mailto:business@fenceweb.com)

**You made a good choice,  
these people also bought  
this gate!**

Sinlge Premium gate

