

Manual Twinwire fence with Multipost and Coverstrip.

fenceweb.com

Personal protective equipment..

Twinwire with multipost with coverstrip.



What is needed to install the fence?

Twinwire with multipost with coverstrip.



Tape measure



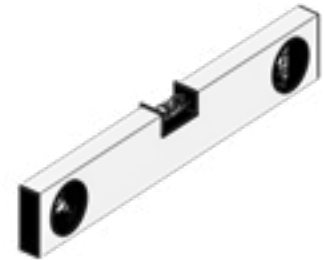
Shovel /
auger



Angle grinder with diamond blade



(Rubber) Hammer



Level



Rope / wire



Allen key 5 mm

**Make it even easier for yourself.
The following could also
come in handy!**

- Postdriver
- Blanket voor een zachte ondergrond.
- Boxcutter
- A piece of wood in the same size as a fencepanel.

Check your order.

Twinwire with multipost with coverstrip.

The fencing, the posts, the gate and concrete are delivered on a pallet, possibly on several for large orders. Small orders are placed upright and tied to a wooden trestle and finally sealed. Large orders transported on big pallets are usually not sealed in foil.



Check the goods upon delivery and note any damage on the consignment note before signing. **(after signing the right of complaint expires).**



Keep the order in a safe and covered place until assembly to keep it in good condition.

Carefully remove the products from the pallet.

Twinwire with multipost with coverstrip.

Carefully cut open the foil with a boxcutter without damaging the products (Best on the short side of the pallet).

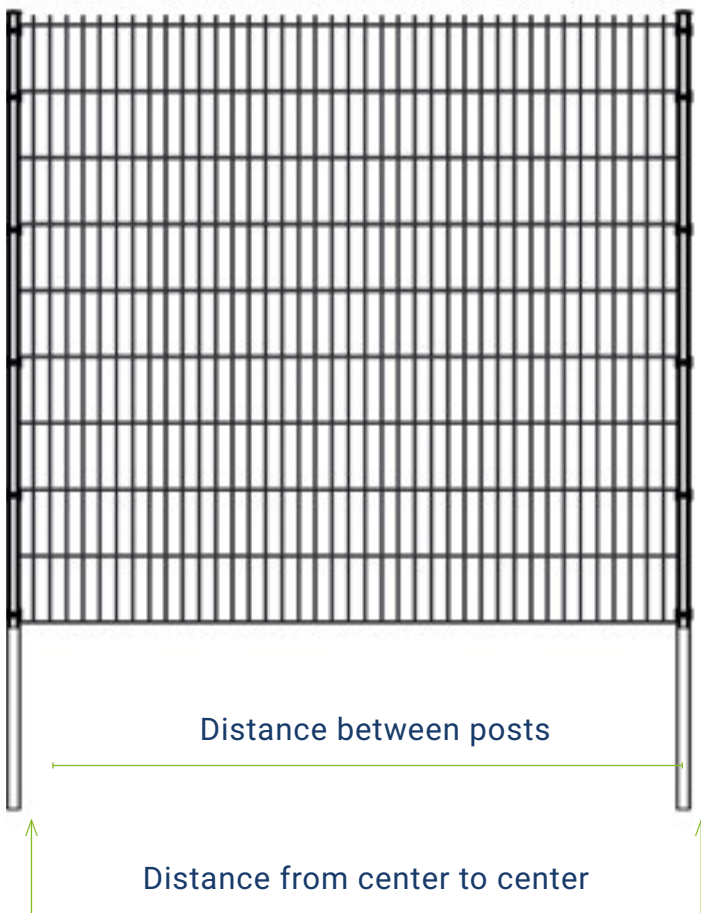
Then cut the green straps and pull them off the pallet. Carefully remove the products from the pallet.



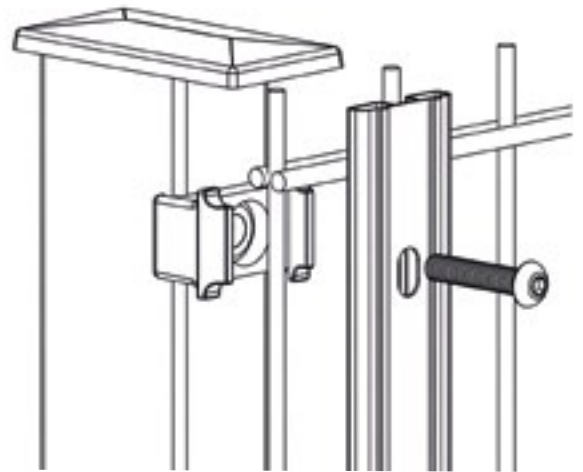
Do you have posts or cover strips with your order? Make sure to lift them up properly when you remove them from the pallet, this way you prevent scratches.

Overview: Twinwire fence with Multipost and Coverstrip.

Twinwire with multipost with coverstrip.



*Center to center is the distance between the center of one object and the center of the other object. So from the center (middle) of the first post to the other center (middle) of the second post.

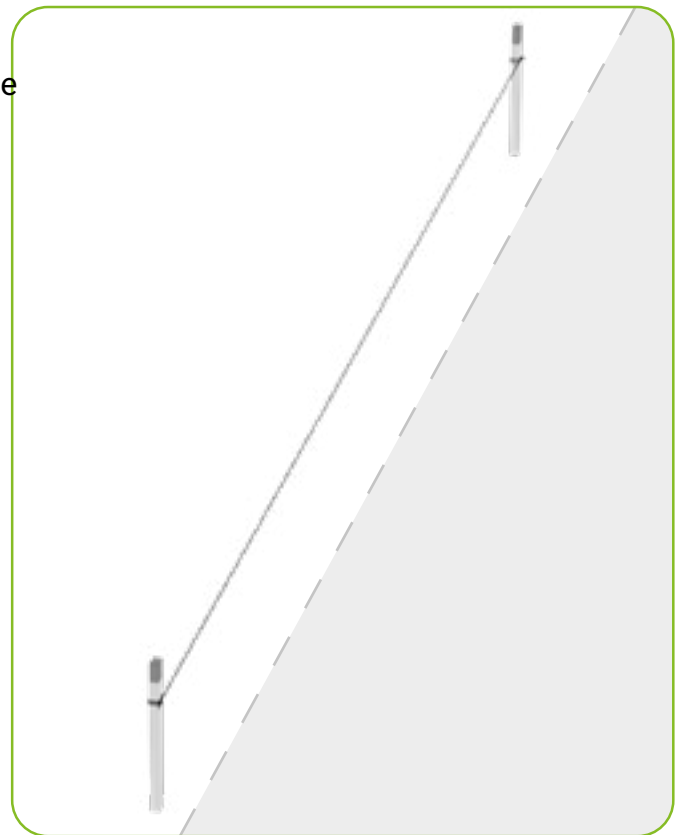


First read the manual carefully and make a plan of action before you start assembling. Only then start with the assembly.

Preparation: Measuring is knowing.

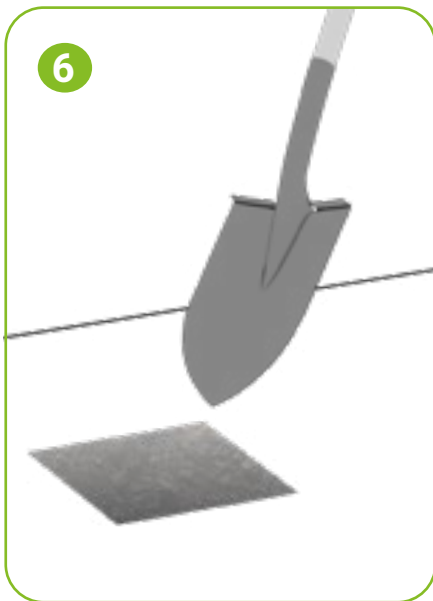
Twinwire with multipost with coverstrip.

- 1 Level the ground at the location where the fencing will be placed. Free up enough space to work properly.
- 2 Determine the starting point of your fence. This starting point must not be able to change in dimensions later.
- 3 Measure where the posts should be placed. For correct positioning of the posts, measure from the center of the posts. (The center to center*) The fence overlaps about 1 cm per post with the post. So you calculate the length of the fence minus one cm on both sides to know the space between the posts.
- 4 Stretch a wire along which your fence must be placed. Use picket posts here if necessary.
- 5 Determine on which side you want the fence and the coverstrip, and therefore how the posts will be placed. For safety reasons, we recommend not to fix the bolts on the outside of the fence, as they could be loosened that way.



Assembly: The first post.

Twinwire with multipost with coverstrip.



Boor of graaf een gat of approximately 30 x 30 cm where the first post is to be placed. Remove any stones, roots or other material from the ground where the posts will be placed.



Place the post in the hole. Check if it is level and taut against the stretched wire. Then bring it into the ground to the correct height. Use one if necessary post driver. The multi-post generally goes 60 cm into the ground. We recommend keeping the fencing minimal 5 cm above ground level to place.



If necessary, secure the post with (rapid) concrete. For fences higher than 1 meter, we recommend always securing the posts with (quick) concrete. Follow the instructions for use on the packaging. Repeat after installing the first post the procedure for all posts. Let the concrete harden before applying mounting the fencepanels.

Assembly: The first fencepanel.

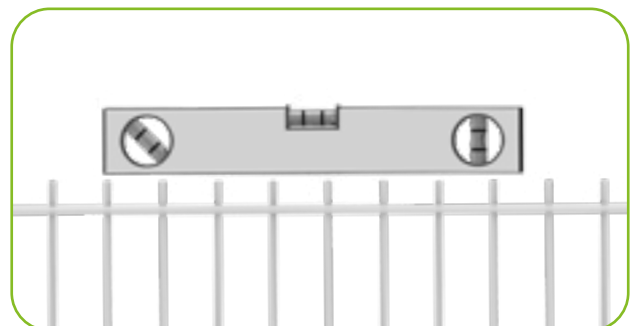
Twinwire with multipost with coverstrip.

When you install a fence for the first time, we recommend starting with one fencepanel. From there you can measure how far apart the posts should be and apply any corrections. Poles once set in concrete are not easy to move.



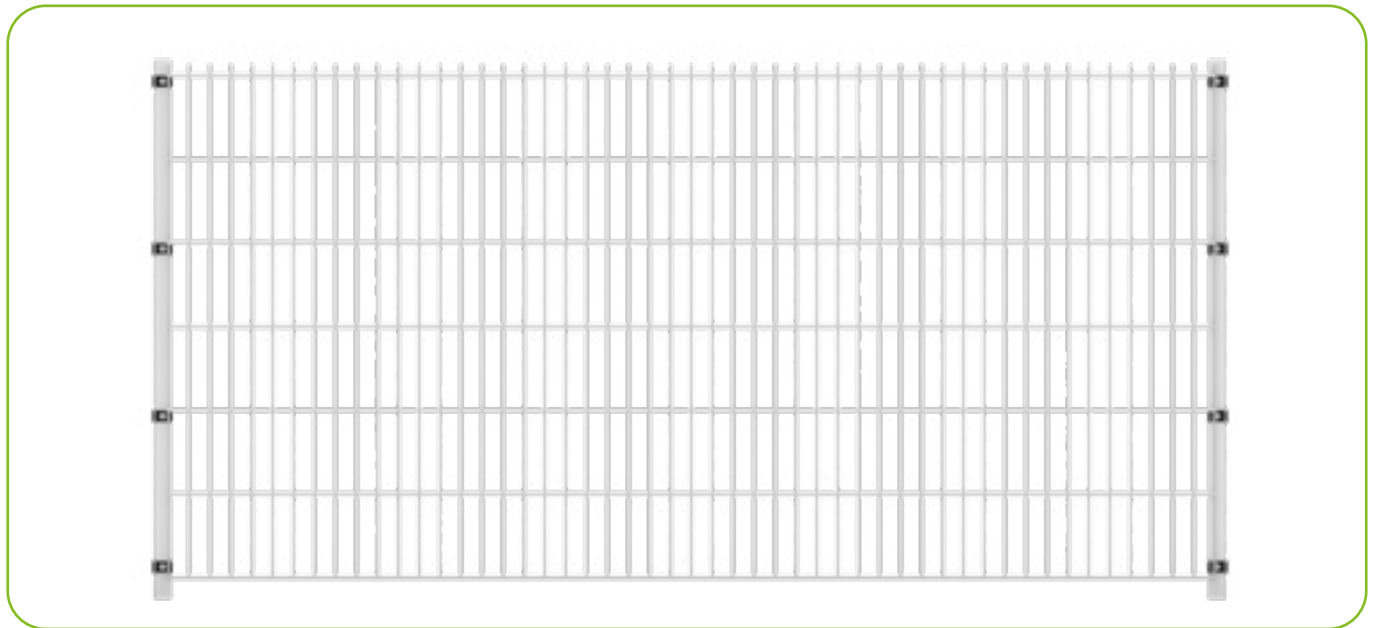
It is wise to install the fences with two or more people.

- 9 Measure where the second hole will be and dig or drill it out. Set the second post in it, against the tensioned wire. Hold the post in place and hold the gate by the posts and check that the mounting blocks are in the correct position relative to the gate.
- 10 When the post is in the right position, put the fence away for a while and secure the post with concrete. Make sure the post is perpendicular and level with the other post while curing.
- 11 When both posts are firmly set in concrete, hang the fence on the mounting blocks. Check whether it is level. When it doesn't hang level, correct one or both posts.



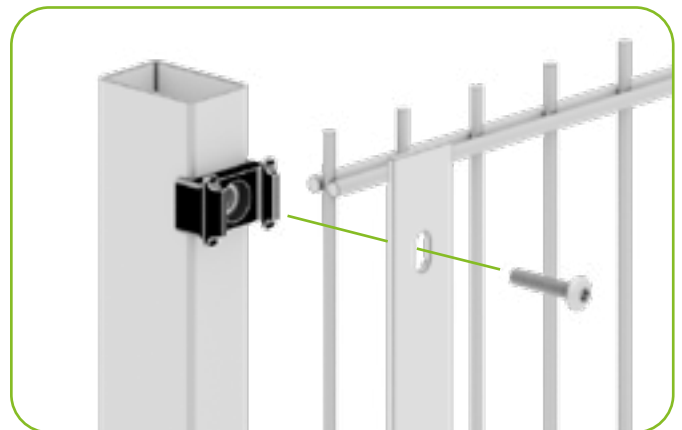
Assembly: Installing all of the fence.

Twinwire with multipost with coverstrip.



Tip: You may drop a nut or bolt during assembly. To prevent you from losing it, you can place a (moving) blanket or plastic bag at the bottom of the pole that will catch it.

12 When the fence hangs straight, you can secure the fence to the first post with the bolts and cover plates. Place the cover plate in the mounting block, over the fence. Now screw the bolts into the holes and tighten them with the supplied Allen key.



Assembly: Installing all of the fence.

Twinwire with multipost with coverstrip.

13 After the first fence is up you can measure the distance between the posts and place the rest of the posts. Or you choose to place the posts and fences one by one.

14 If you choose to place the posts first, measure the distance carefully and remember that if the first post is in the wrong position and needs to be moved, all posts after that will also have to be moved.

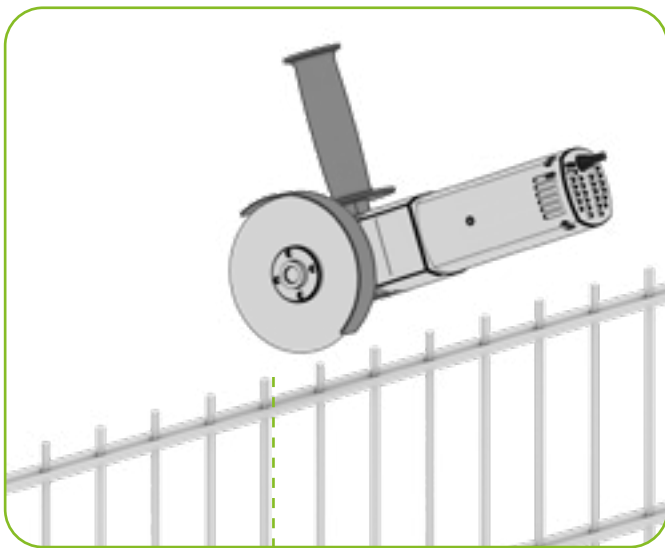
15 If you want to go for safe, assemble first the next post and then hang the fence on. Then immediately tighten the gate with the cover plates and bolts. This way you are more sure that the posts are in the right position and at the same time you can correct the posts before you hang the fence.

After two fences are hanging, you can secure the second fence with the bolts and cover plates with the Allen wrench. Repeat for all gates. Now press or click the aluminum or plastic caps on top of the posts where the fences hang and are fixed.



Last actions needed.

Twinwire with multipost with coverstrip.



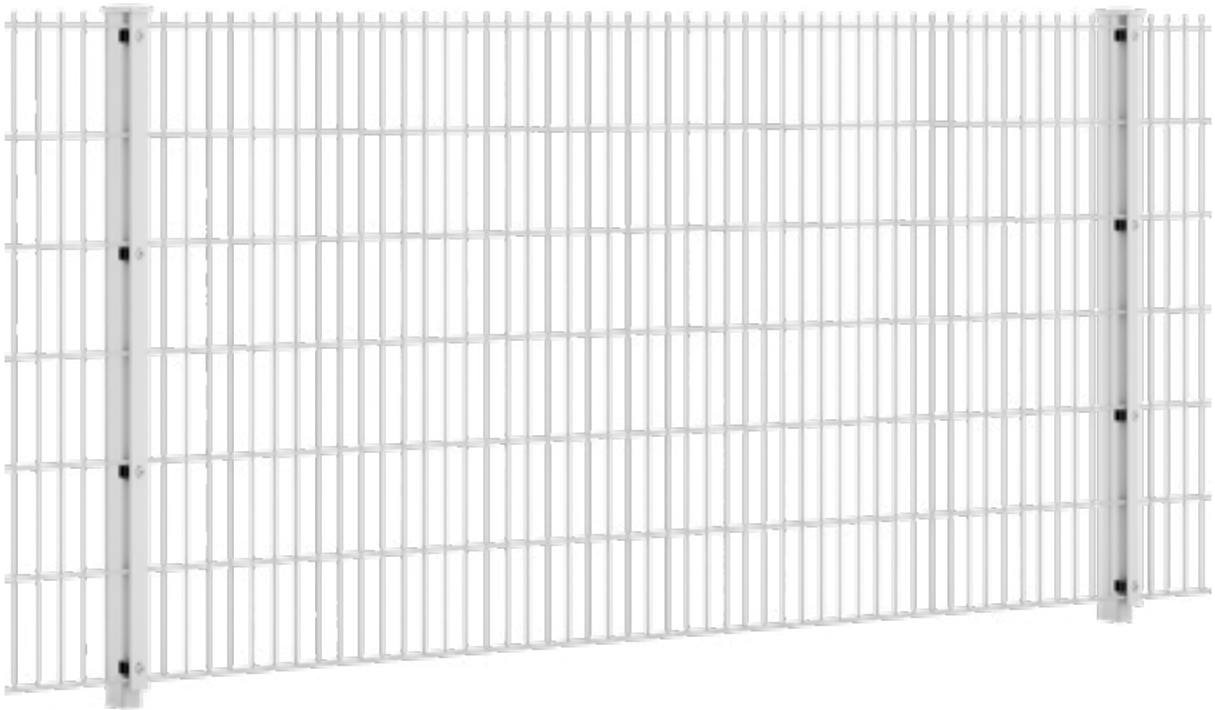
- 16** Do you have a piece left up to the last post that does not fit a whole fence? Then you will have to shorten a fence panel. Do this by means of a grinder. Touch up any damage and ends with the supplied spray can.



Congratulations, your fence is up!

Twinwire with multipost with coverstrip.

- 17 Do not forget to take pictures of your fence and send them to:
business@fenceweb.com
Or post them with #fenceonline!



Did you find this manual useful?
We would love to hear your feedback!



Send your reactions to:
business@fenceweb.com